

# Router series Add-ons

# Router series - Add-ons

## For Tiesse's router Imola AND Lipari

### 4G LTE INDOOR ANTENNAS

#### ANT-LTE 2,5



#### LTE antenna with magnetic base + 2.5 m cable

- **Frequency bands:** 698~960 MHz / 1710~2700MHz
- **Emission:** omnidirectional
- **Temperature (°C):** -40° / +80°
- **Gain (dBi):** 2.14
- **Polarization:** vertical
- **Size:** 100±25\* Ø 29±5 mm
- **Mounting:** magnetic base
- **Cable:** RG 174 da 2500 mm
- **Connettore:** SMA male

#### ANT-LTE10 / ANT-LTE 10E

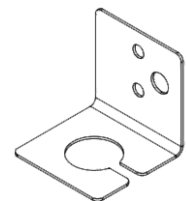


#### LTE antenna with magnetic base + 10 m cable

- **Frequency bands:** 700~960 MHz / 1710~2700MHz
- **Emission:** omnidirectional
- **Temperature (°C):** -40° / +80°
- **Gain (dBi):** 2.14
- **Polarization:** vertical
- **Size:** 100±25\* Ø 29±5 mm
- **Mounting:** magnetic base Ø 20 mm diameter
- **Cable:** RG 174LL da 10 m
- **Connettore:** SMA male

#### ANT-LTE-10E

- Antenna ANT-LTE-10E
- Kit for fixing on external supports to the router for indoor environments
- Size kit (with antenna): 50 x 150 x 52 mm





## 4G LTE OUTDOOR ANTENNAS

### ANT-DIR/C4

### LTE directional outdoor high gain antenna + 5 m cable



- **Frequency bands:** 680 ÷ 790 MHz; 790 ÷ 960 MHz; 1710 ÷ 2700 MHz
- **Emission:** directional
- **Temperature (°C):** -30° / +80°
- **Wind resistance:** 120 Km/h
- **Gain (dBi):** 10
- **Polarization:** vertical
- **Size:** 162 x 142 x 45 mm
- **Mounting:** wall or pole
- **Cable:** CO100 da 5 m
- **Connector:** SMA male

### ANT-OMNI/ LTE2

### Omnidirectional indoor/outdoor LTE antenna + 10 m cable



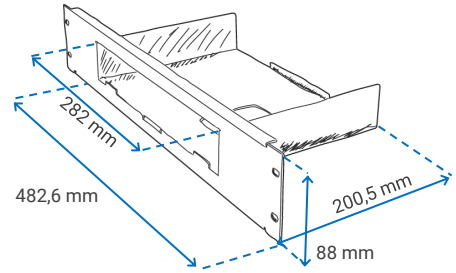
- **Frequency bands:** 690~960 MHz; 1710~2200 MHz; 2200~2600 MHz
- **Emission:** omnidirectional
- **Temperature (°C):** -30° / +80°
- **Protection class:** IP65
- **Gain (dBi):** 2.15 (cable included)
- **Polarization:** linear
- **Size:** 61 x 150 mm
- **Connector:** SMA male



# RACK MOUNTING KIT

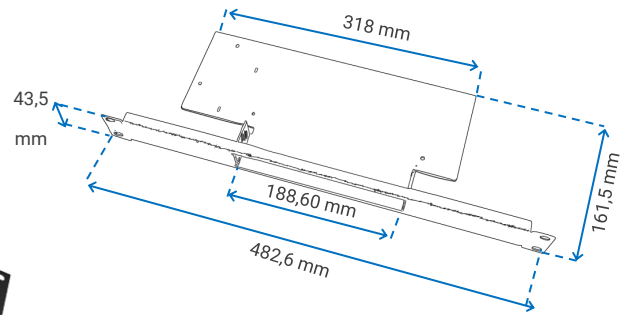
## IMOLA SERIES

For all models of the Imola series (excluding models of the Imola LX and Imola x872-1K2V series)



## IMOLA LX / LIPARI SERIES

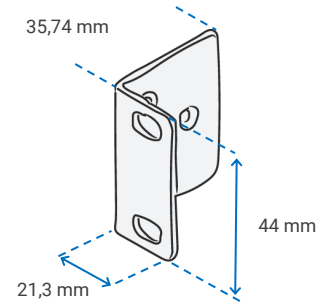
For all models of the Lipari and Imola LX series with iron chassis.



## 1U bracket rack

For all models of the Imola x872-1K2V-xxx series

Can also be used with Elba 260 switches.



# Tiesse

Innovation made in Italy®

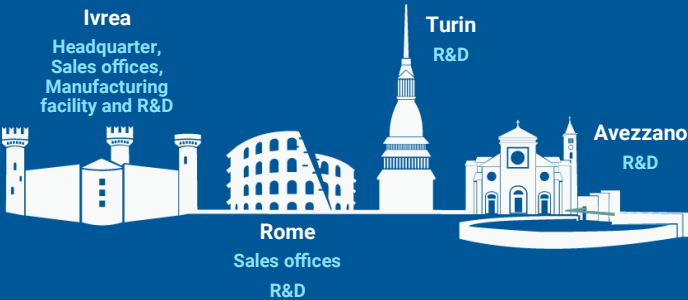
Tiesse is a 100% Italian company which has more than 20 years of expertise in designing, developing, and manufacturing M2M/IoT and network devices. The products series **IMOLA**, **LIPARI** and **LEVANTO**, which are innovative, competitive and certified, are present in the largest distributed national networks (from gas stations to large retailers, insurance companies and banks) as well as in the largest networks of the main gaming operators and energy sector.



Info: [mail@tiesse.com](mailto:mail@tiesse.com)

Marketing & Sales: [marketing@tiesse.com](mailto:marketing@tiesse.com)

## www.tiesse.com



**Ivrea**

Headquarter,  
Sales offices,  
Manufacturing  
facility and R&D

**Turin**

R&D

**Avezzano**

R&D

**Rome**

Sales offices

R&D

Via Asti 4

10015 Ivrea (TO)

Viale L. Gaurico 9/11

00143 Roma EUR

Via Livorno 60

10144 Torino (TO)

Via C. Corradini 80  
67051 Avezzano (AQ)

Tel +39.0125230544  
Fax +39.0125631923

Tel +39.0654832203  
Fax +39.0654834000



© Copyright Tiesse S.p.A.

Any disclosure, derivation or reproduction of this document, even partial, is strictly prohibited without prior written authorization by Tiesse S.p.A.

### Disclaimer

The informations in this document may contain predictive statements including, without limitation, statements regarding the future financial and operating results, future product portfolio, new technology, etc. There are a number of factors that could cause actual results and developments to differ materially from those expressed or implied in the predictive statements. Therefore, such information is provided for reference purpose only and constitutes neither an offer nor an acceptance. Tiesse may change the informations at any time without notice.